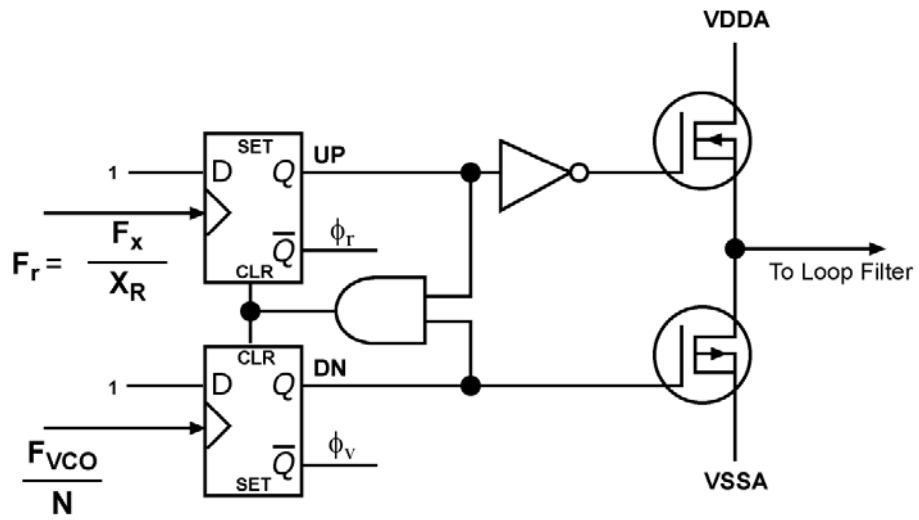
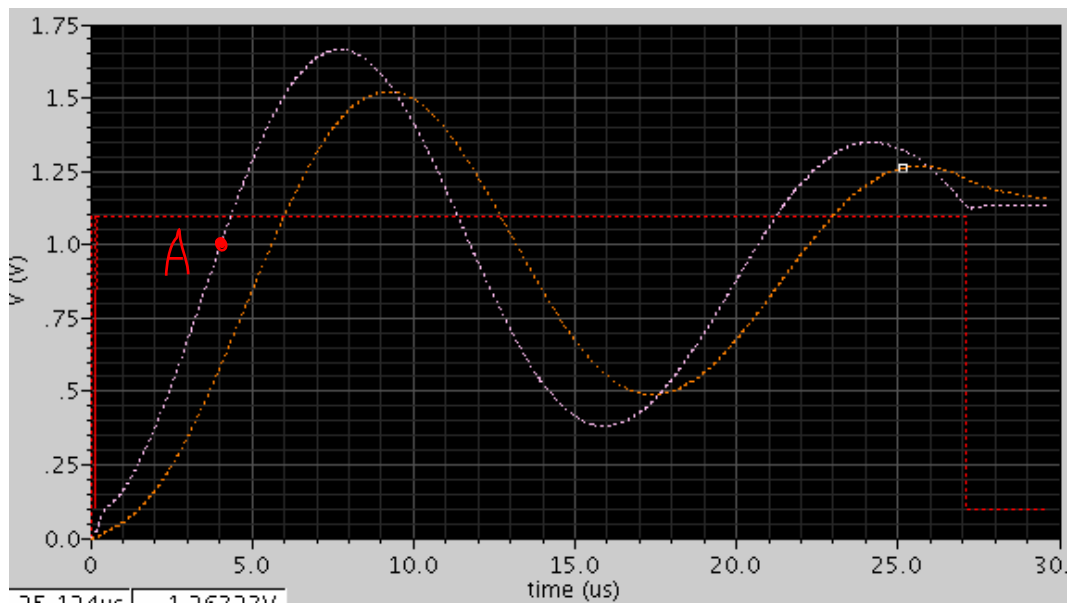


The PFD below used in my system.



The simulation result below, I want the PFD could realize frequency discriminating , in that case the loop could not up continually near point A in plot ,that means system will be locked fast.



Thank you!