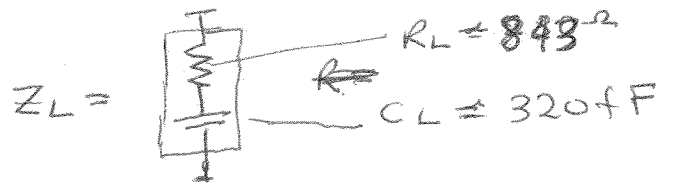
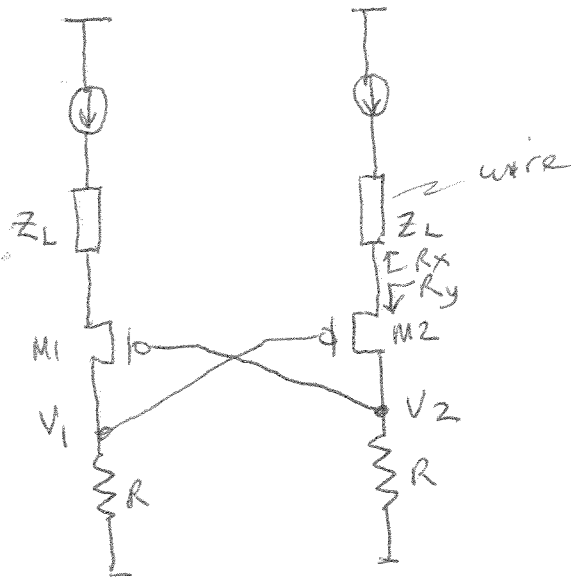


BEFORE

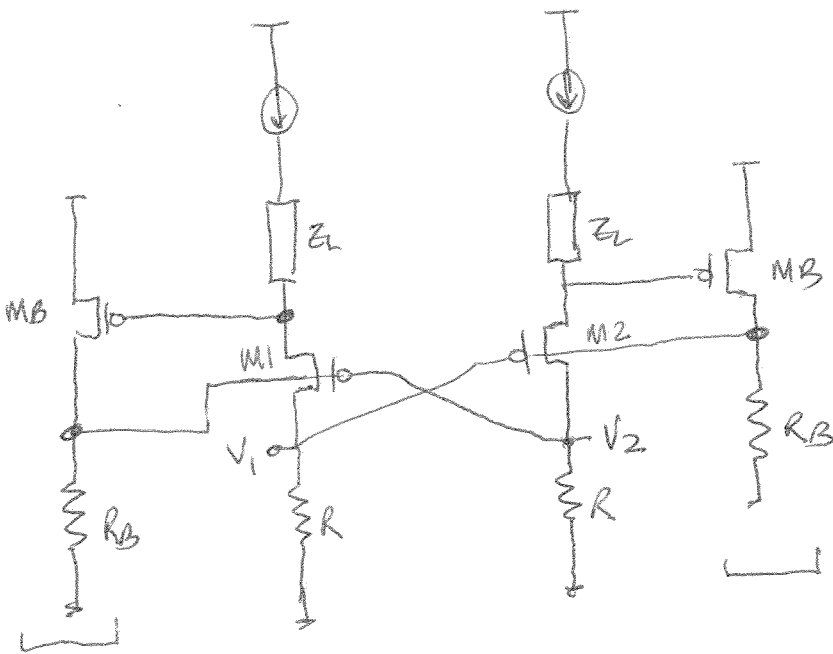


$$R_{out} = R_y \parallel R_x$$

$$R_y = -\left(R + \frac{1}{g_{m1,2}}\right)$$

$$\omega_p = \frac{1}{C_L R_{out}}$$

AFTER



To reduce R_{out} .