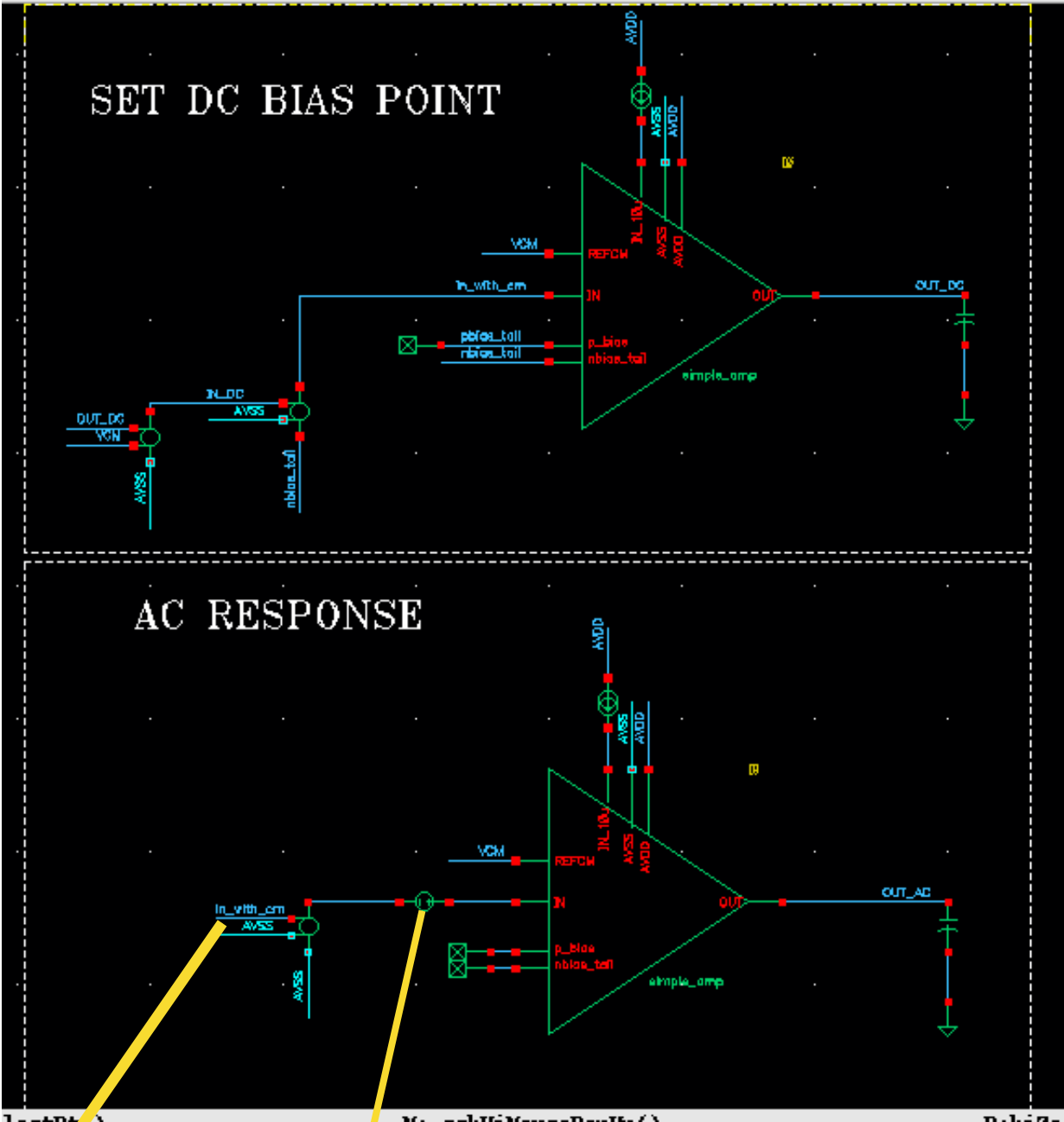
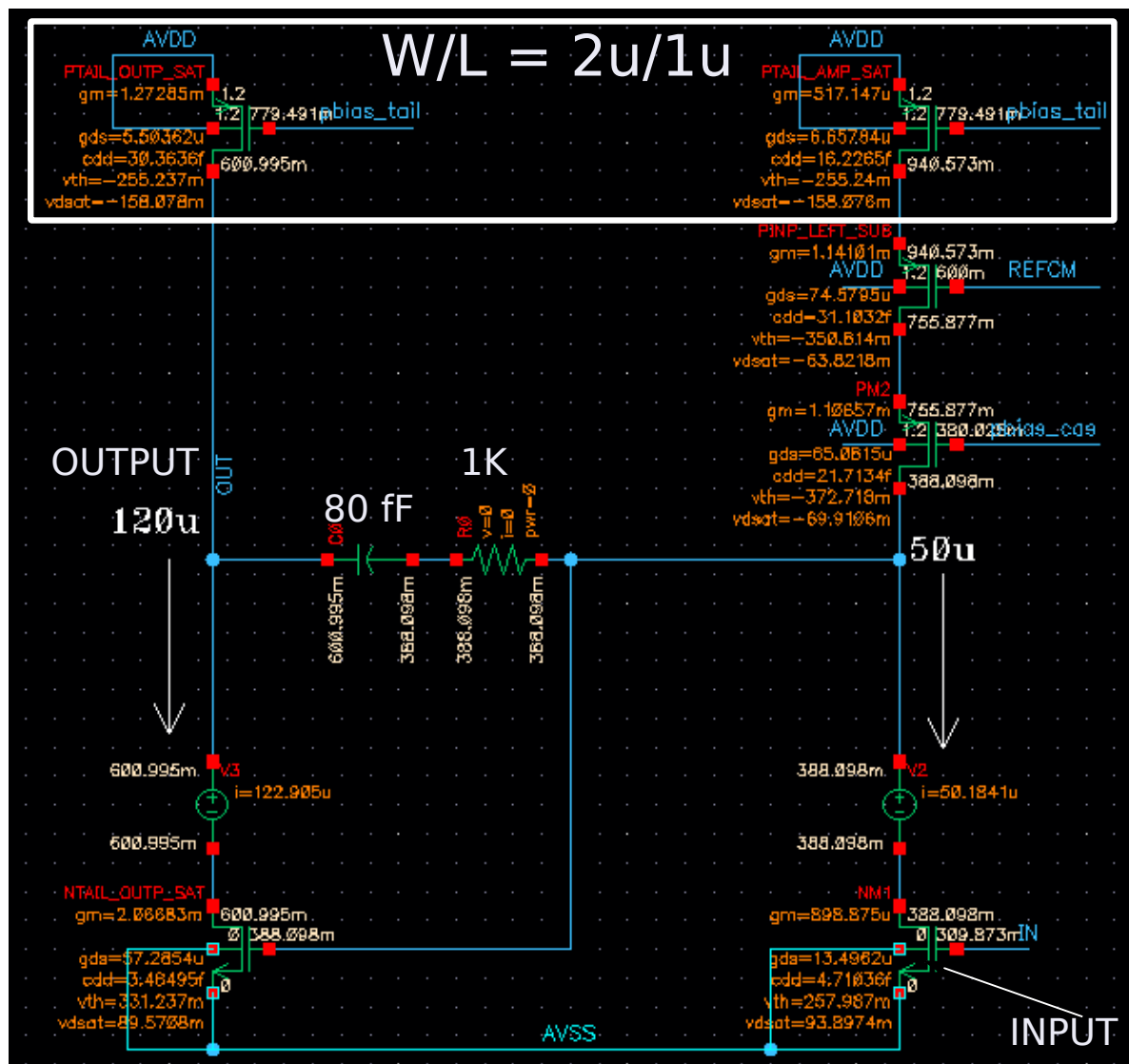


TEST BENCH FOR AC RESPONSE

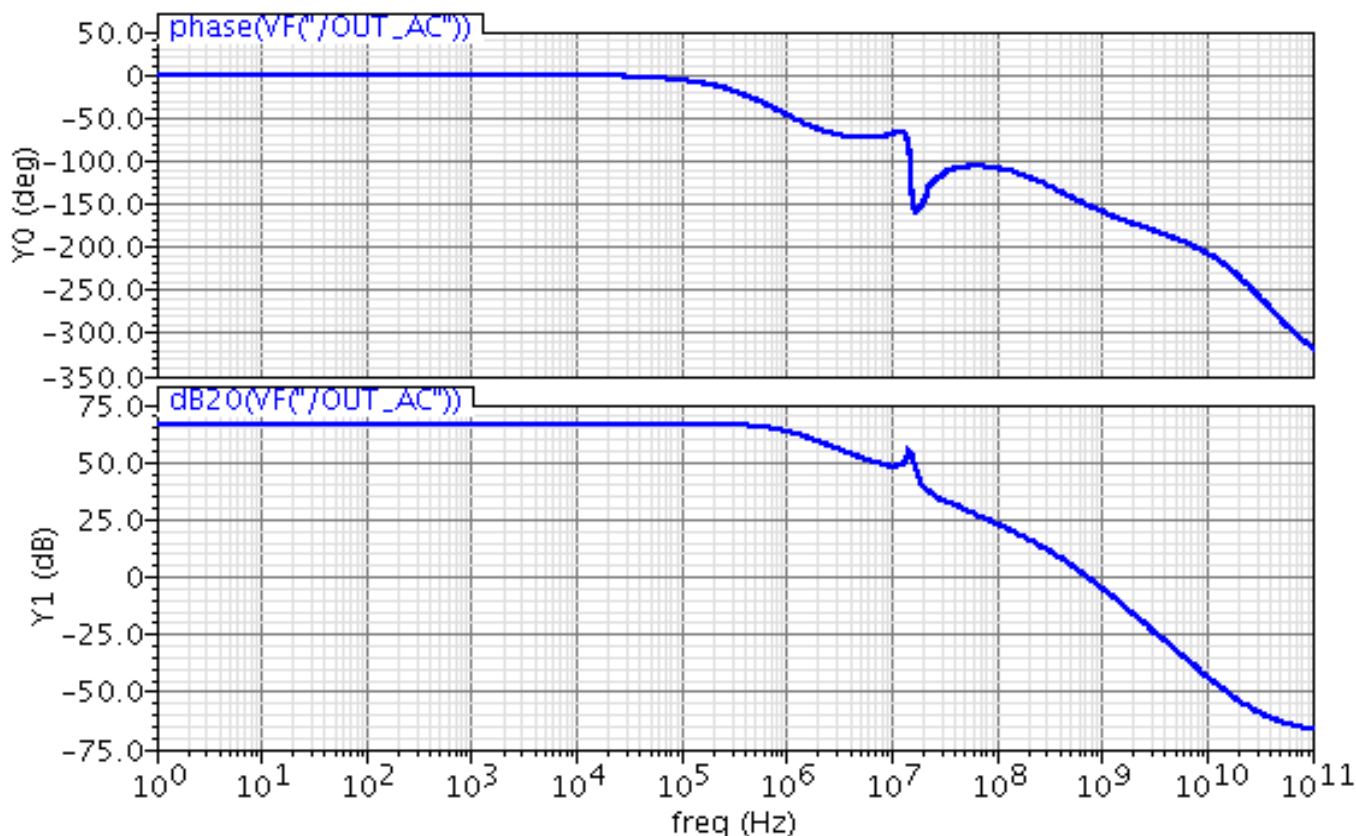


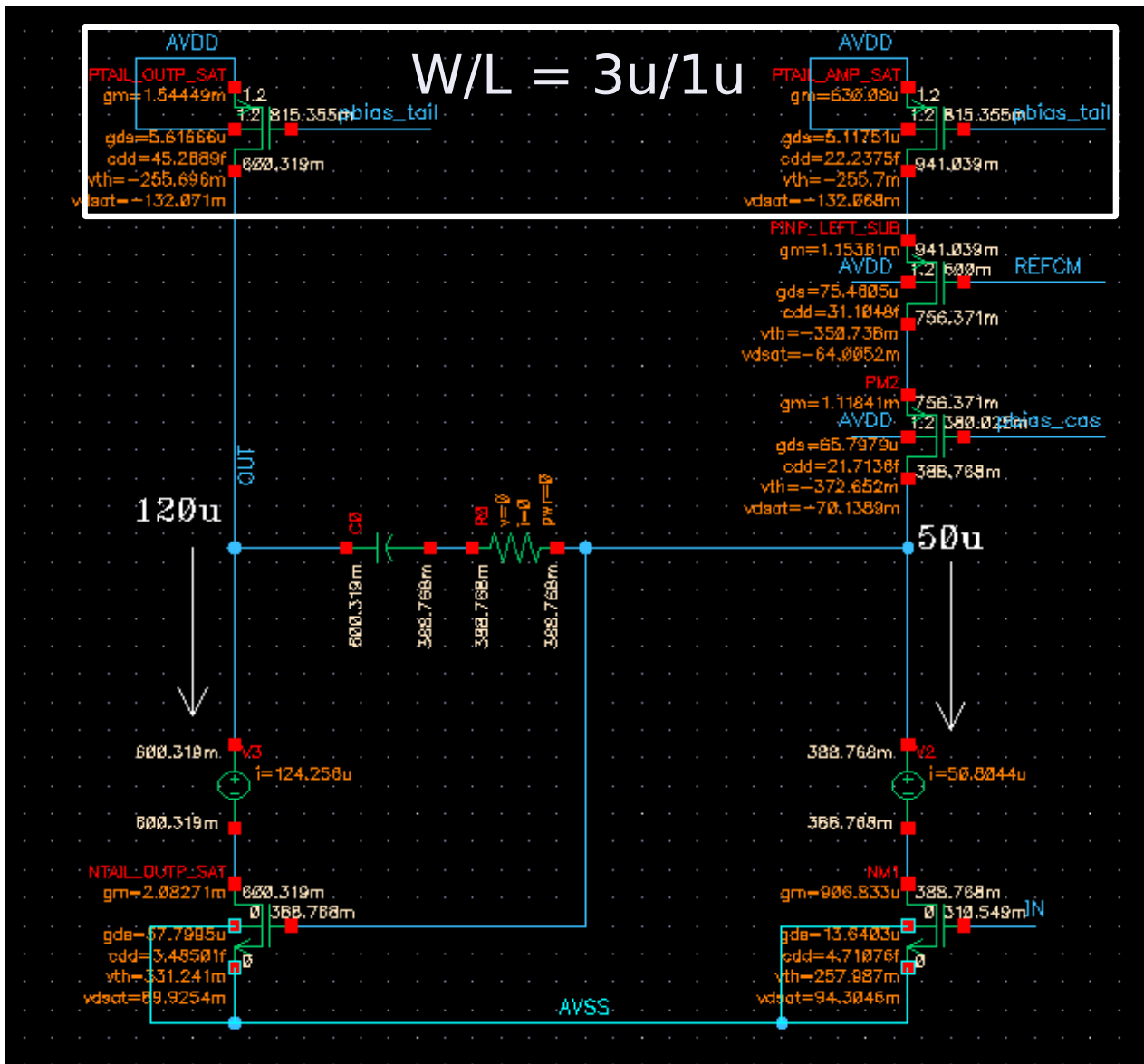
BIAS POINT IS
COPIED HERE

AC RESOURCE IS ADDED HERE

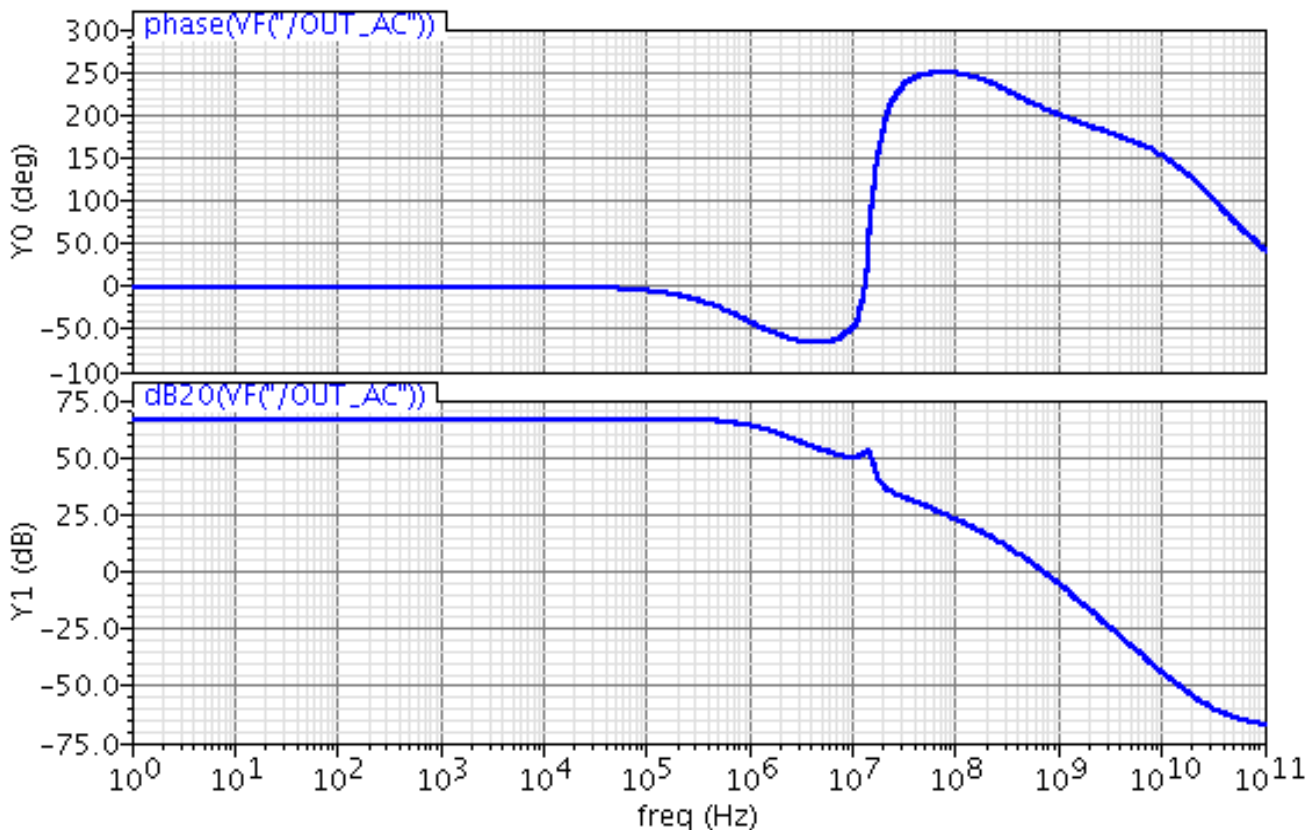


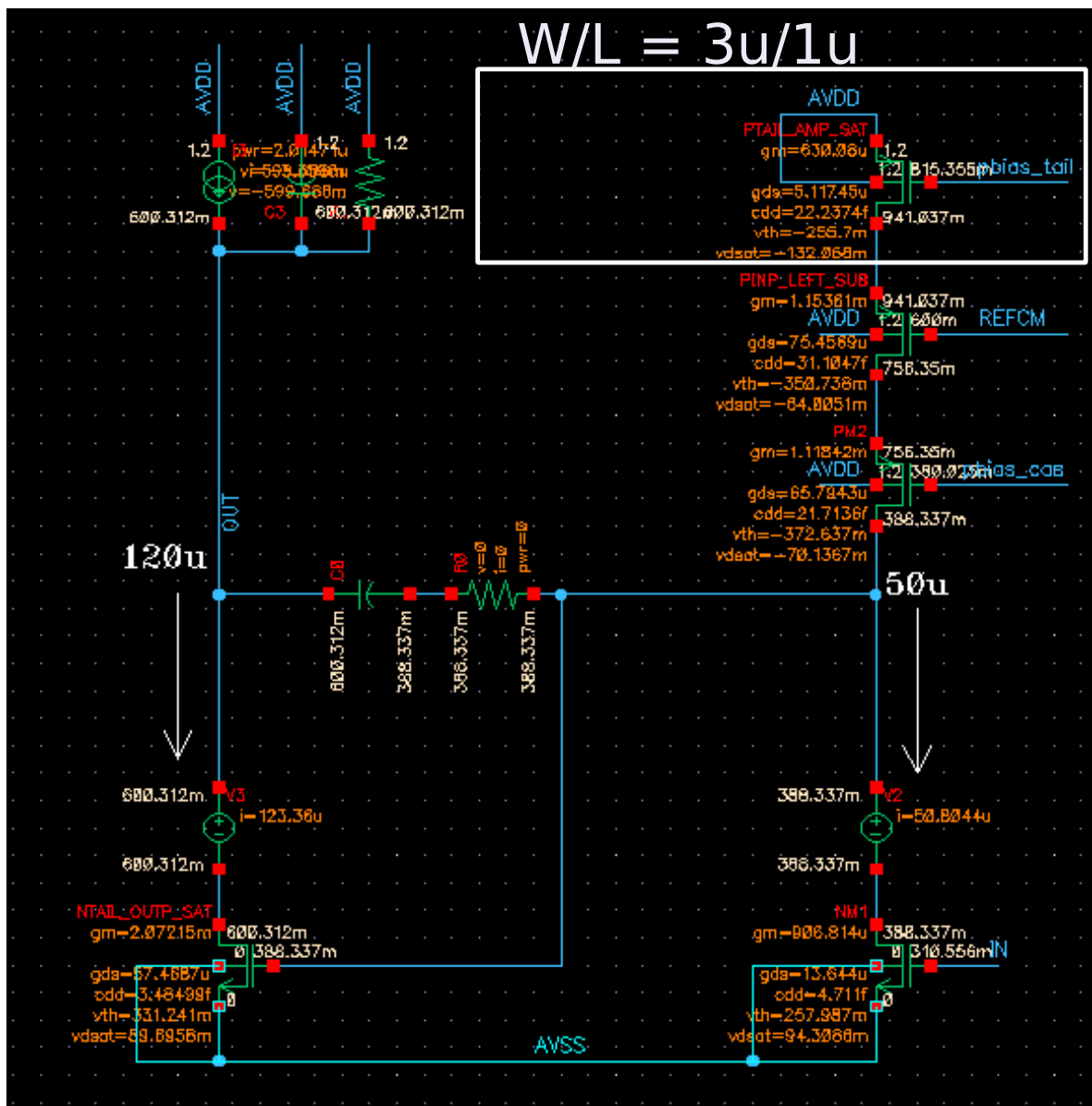
AC Response





AC Response





AC Response

