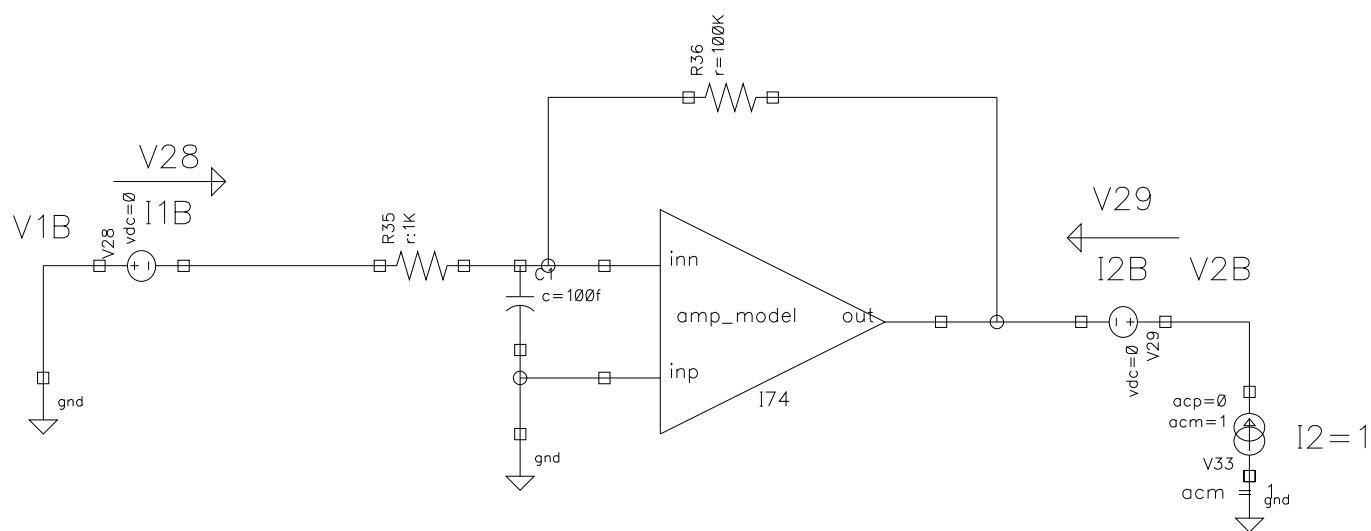


$$g_{11} = I1/V1 \Big|_{I2=\emptyset}$$

$$g_{11}=I1A$$

$$g_{21} = V2/V1 \Big|_{I2=\emptyset}$$

$$g_{21}=V2A$$



$$g_{12} = I1/I2 \Big|_{V1=\emptyset}$$

$$g_{12}=I1B$$

$$g_{22} = V2/I2 \Big|_{V1=\emptyset}$$

$$g_{22}=V2B$$